

# 4MP Fixed Lens IR PT Camera

IPC744SR5-PF40 (60)-32G



## Key Features

### PTZ

Precision motor with accuracy deviation less than 0.1 degree.

Pan range 250°, tilt range -50° to 50°

Pan speed up to 15°/s, tilt speed up to 5°/s

### Optics

Smart IR, up to 50m (164 ft) IR distance

IR anti-reflection window to increase the infrared transmittance

Day/night functionality

### Compression

Ultra 265, H.265, H.264, MJPEG

Embedded smart algorithm

Triple streams

Customized OSD

### Network

ONVIF Conformance

### Structure

Support PoE power supply

Wide temperature range: -35°C to +60°C (-31°F to +140°F)

Wide voltage range of ±25%

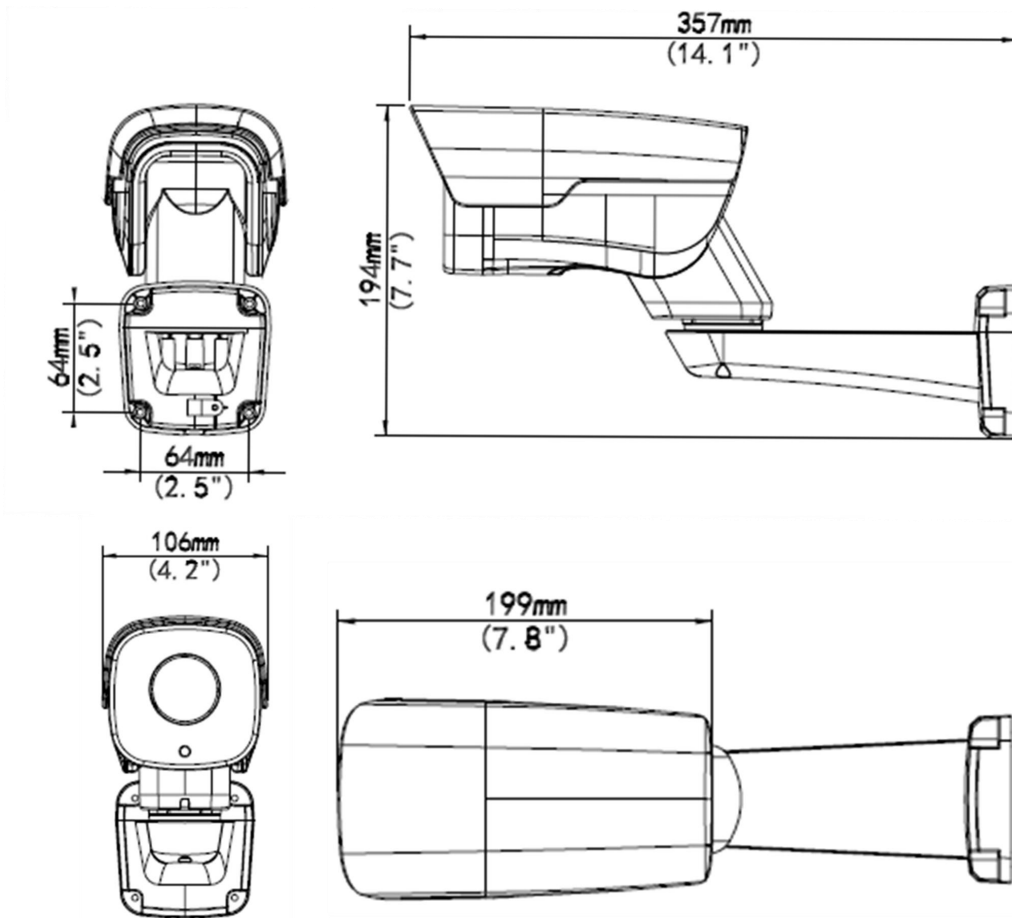
IP66

## Specifications

	IPC744SR5-PF40-32G	IPC744SR5-PF60-32G			
<b>Camera</b>					
Sensor	1/3", progressive scan ,4.0 megapixel, CMOS				
Lens	4.0mm@F2.0		6.0mm@F2.0		
DORI Distance	Lens	Detect(m)	Observe(m)	Recognize(m)	Identify(m)
	4mm	90	36	18	9
	6mm	135	54	27	13.5
Angle of view(H)	78.9°		49.9°		
Angle of View (V)	39.6		27		
Angle of View (O)	97.1		61.4		
Shutter	Auto/Manual, 1 ~ 1/100000s				
Minimum Illumination	Color: 0.02 Lux (F2.0, AGC ON) 0 Lux with IR on				
Day/Night	IR-cut filter with auto switch (ICR)				
Digital noise reduction	2D/3D DNR				
S/N	>55dB				
IR Range	50m (164 ft) IR range				
Defog	Digital Defog				
WDR	120dB				
<b>Video</b>					
Video Compression	Ultra 265,H.265, H.264, MJPEG				
H.264 code profile	Baseline profile, Main Profile, High Profile				
Frame Rate	Main Stream:4MP (2592×1520): Max. 20 fps, 4MP (2560×1440): Max. 25 fps, 3MP (2048×1520): Max. 30 fps; Sub Stream:2MP (1920×1080): Max. 30 fps; Third Stream:D1(720×576) : Max. 30fps				
HLC	Supported				
BLC	Supported				
OSD	Up to 8 OSDs				
Privacy Mask	Up to 8 areas				
ROI	Up to 8 areas				
Motion Detection	Up to 4 areas				
<b>Smart</b>					
Behavior Detection	Intrusion, cross line, motion detection				
Intrusion	Enter and loiter in a pre-defined virtual region				
cross line	Cross a pre-defined virtual line				
motion detection	Moving within a pre-defined virtual region				
Recognition	Face detection、 Audio detection				
Intelligent Identification	Defocus, Scene Change, Object Left, Object Moving				
Statistical Analysis	People counting				
General Function	Watermark, IP Address Filtering, Tampering Alarm, Alarm input, Alarm output, Access Policy, ARP Protection, RTSP Authentication, User Authentication				

Audio	
Audio Compression	G.711
Two-way Audio	Supported
Suppression	Supported
Sampling Rate	8 KHZ
Storage	
Edge Storage	Built-in 32 GB eMMC
Network Storage	ANR
Network	
Protocol	IPv4, IGMP, ICMP, ARP, TCP, UDP, DHCP, PPPoE, RTP, RTSP, RTCP, DNS, DDNS, NTP, FTP, UPnP, HTTP, HTTPS, SMTP, 802.1x, SNMP
Compatibility	ONVIF(Profile S, Profile T), API
Structure	
Pan Range	250°
Pan Speed	0.1°/s ~ 15°/s
	Preset speed: 15°/s
Tilt Range	-50° ~ 50°
Tilt Speed	0.1°/s ~5°/s
	Preset speed: 5°/s
Number of Presets	400
Patrol	Up to 16 patrols, up to 32 presets per patrol
Interface	
Audio I/O	3.5 mm connector
	Input: impedance 35 kΩ; amplitude 2 V [p-p]
	Output: impedance 600 Ω; amplitude 2 V [p-p]
Alarm I/O	2 / 1
Network	10M/100M adaptive Ethernet
General	
Power	12 V DC±25%, PoE (IEEE802.3at)
	Power consumption: Max. 17.23 W
Dimensions	357 mm × 106 mm × 194 mm (14.1" × 4.2" × 7.7")
Weight	1.16 kg (2.6 lb)
Working Environment	-35°C to +60°C (-31°F to 140°F), Humidity:10%~95% RH(non-condensing)
Ingress Protection	IP66

## Dimensions



**Zhejiang Uniview Technologies Co., Ltd.**

South Tower, Building 10, Wanlun Science Park, 88 Jiangling Road, Hangzhou, P.R.China 310051

Email: [overseasbusiness@uniview.com](mailto:overseasbusiness@uniview.com); [globalsupport@uniview.com](mailto:globalsupport@uniview.com)

<http://www.uniview.com>

©2016-2018 Zhejiang Uniview Technologies Co., Ltd. All rights reserved.

\*Product specifications and availability are subject to change without notice.